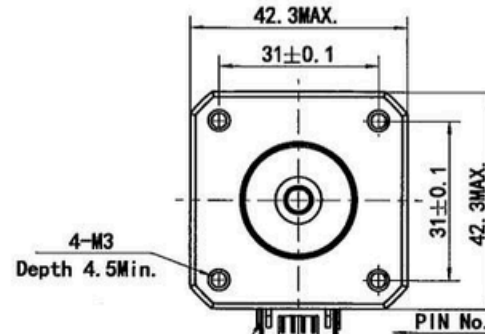
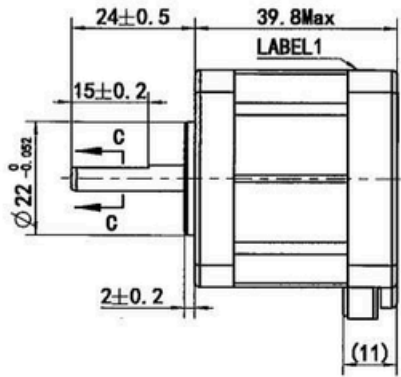
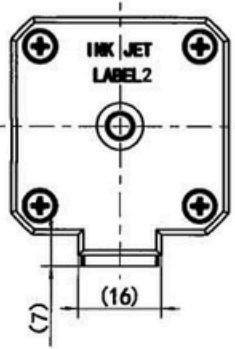
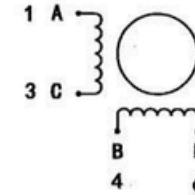


MS17HD2P4100



JST S6B-PH-K-S (LF) (SN)
OR CWB PH-6AWJ-2.5

Wiring Diagram



Exciting Sequence vs. Direction of Rotation

STEP	A	B	C	D	CCW
1	+	+	-	-	↑
2	-	+	+	-	
3	-	-	+	+	
4	+	-	-	+	

Clockwise view from mounting side

Label 1 Detail

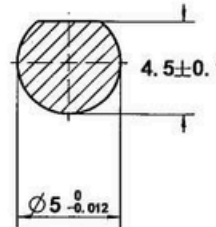
STEPPING MOTOR
Insulation: Class B, 60VDC Max.
1Amps Holding: 0.48Nm
3000RPM Max. **CAJUS**
UL FILE No. E465363 XXX
Factory ID

Label 2 Detail

TYPE MS17HD2P4100
XXXXXXXX YY/MM/DD
Work Order Date Format

Specification	
1. Number of Phase	2
2. Step Angle	1.8°
3. Rated Voltage	3.9 V DC
4. Rated Current	1 Amp
5. Holding Torque	0.48 Nm Typ. (Two phase on/rated current)
6. Phase Resistance	3.9 ohm ±10% (20°C)
7. Phase Inductance	8.9 mH ±20%(1kHz 1V rms)
8. Rotor Inertia	57 gcm ²
9. Motor Weight	0.28 kg
10. Insulation Class	B (130°C)

C-C(4:1)



E2	EGR:23-317	2023.03.28	Unit:mm	Approve		Drawing No: 4611110008899	Rev. E2	SCALE: 1:1	Sheet 1 of 1
E1	EGR No: 21-930	2021.06.10	First angle method		Standardize				
E0	Update nameplate	2017.04.24	Tolerances for linear and angular dimensions without individual tolerance indications GB/T 1804-m eqv ISO 2768-1:m	Process Review					
D0	441 mNm Min, 1.05A, 4.095V, Change the nameplate	2013.01.24		Check					
C0	490 mNm Min.	2012.11.07	Geometrical tolerance for features without individual tolerance indications GB/T 1184-K eqv ISO 2768-2:K	Design					
B0	4.1ohm, 9.3mH, 4.305V, P/N:R17HD40P411	2012.03.12		NAMES	SIGNATURE	DATE			
A0	Original revision	2011.07.18	UNLESS OTHERWISE SPECIFIED						
REV.	REVISION RECORD	DATE							

PIVEXIN
TECHNOLOGY